



ULTRA SEAM - PERIMETER EDGING SYSTEMS

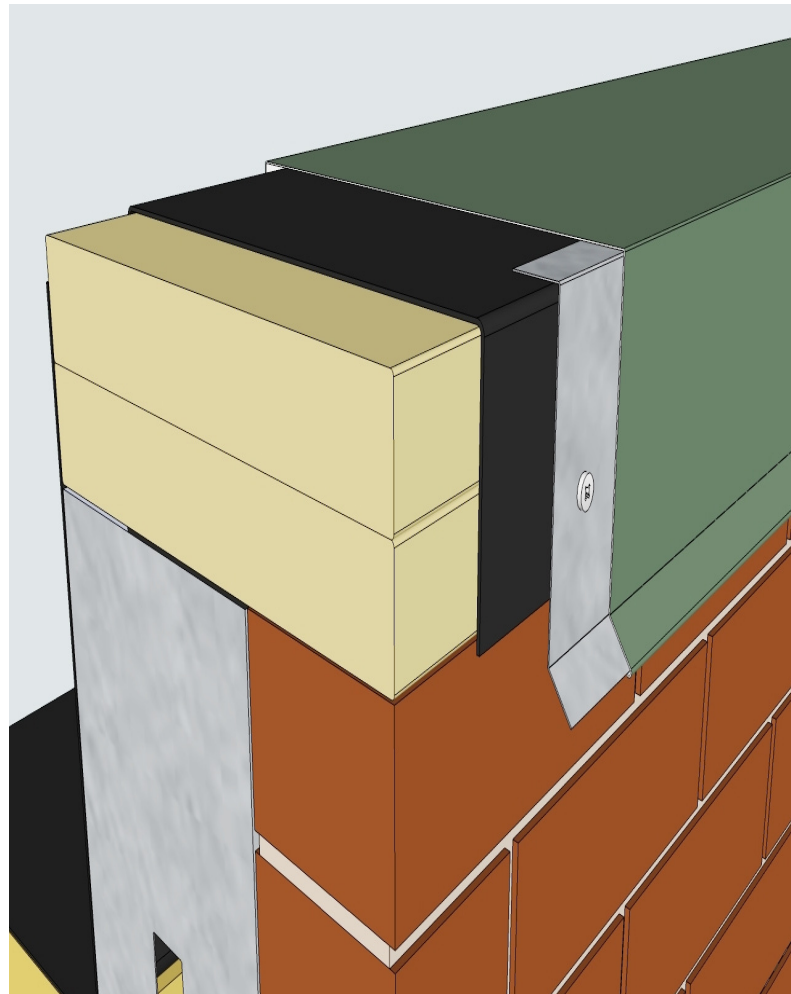
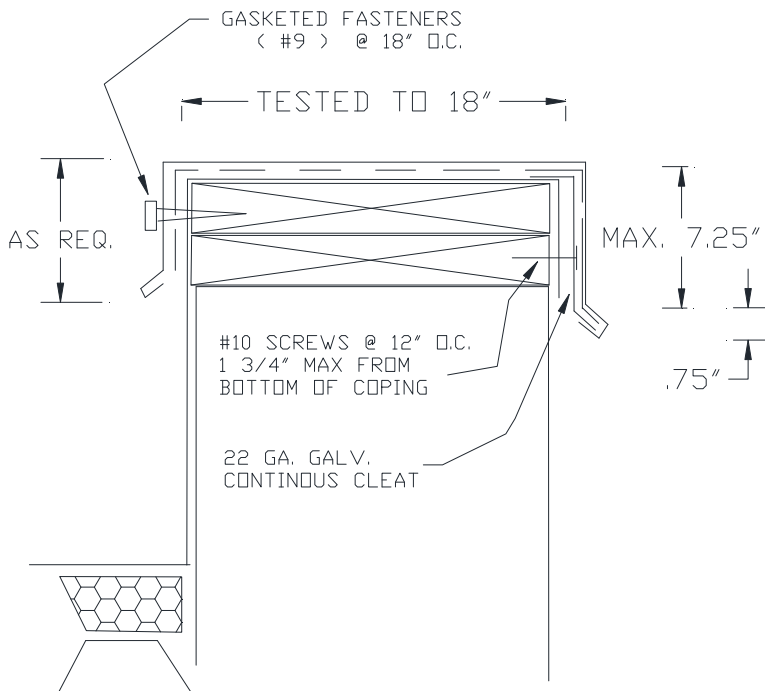
SC SERIES COPING

Manufactured by
Ultra Seam
Metal Roofing & Siding Systems
 1-800-USI-SEAM
 (874-7326)
 www.ultraseam.com

The IBC building code requires that all low slope roofing systems (built up asphalt, single ply, modified, etc.) use perimeter metal details that have tested according to the ANSI / SPRI ES-1 testing procedure. This applies to copings, gravel stops, and metal edgings. Most states have adopted the provisions of the IBC building code. ULTRA SEAM has developed a line of coping, gravel stops, and edging that have been tested in both aluminum and steel options. We have standard and snap lok versions of each type of trim.

ES-1 TESTED!

THE ULTRA SEAM STANDARD STYLE COPING (SC SERIES COPING) IS A TRADITIONAL STYLE COPING THAT IS FAST AND SIMPLE TO INSTALL. FRONT CLEAT INTERLOCK AND BACKSIDE THRU FASTENING PROVIDES SECURE PERIMETER ATTACHMENT OF THE ROOF MEMBRANE



SC SERIES (STANDARD STYLE) COPINGS ARE AVAILABLE IN VARIOUS METALS. THEY ARE ES-1 TESTED IN 24 GA. STEEL AND .040 ALUMINUM. MAXIMUM TESTED FACE SIZE IS 8". CALL ULTRA SEAM FOR DETAILS.



GASKETED FASTENERS
(#14) @ 18" O.C
1 3/4" MAX FROM
BOTTOM OF COPING.

AS REQUIRED

6" SPLICE PLATES
AT 10' JOINTS
SET IN SEALANT

CARRY MEMBRANE
UP & OVER.

TESTED TO 18"
FIELD VERIFY

OPTIONAL CLEAT TOP
LEG TO SET HEIGHT

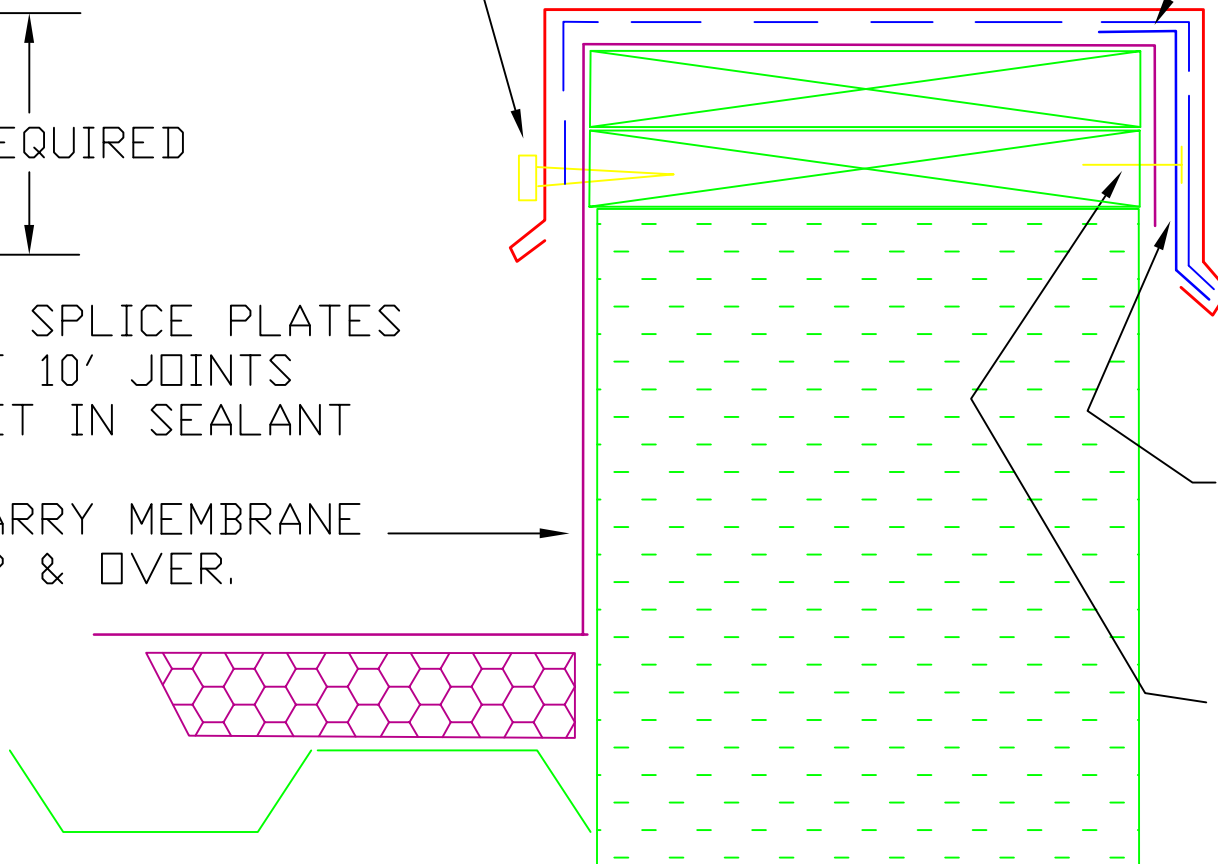
UP TO 7.25"

.75"

22 GA. GALV.
CONTINUOUS CLEAT

1 1/4" ANNULAR RING
GALV. ROOFING NAIL
AT 6" O.C.

1 3/4" MAX FROM
BOTTOM OF COPING



PERIMETER METAL SYSTEMS- COPING

ULTRA SEAM SC SERIES COPING

ES-1 TESTED