

Construction Metal Products, Inc.

System: CMP Series 2500

Drawings

1. Panel & Clip Profile
2. Panel Sealant
3. Eave Flashing with Gutter
4. Locking Eave
5. High Eave
6. Gable End
7. Hip/Ridge
8. Vented Ridge
9. Valley
10. Roof To Wall
11. Pitchbreak Flashing

DETAIL:

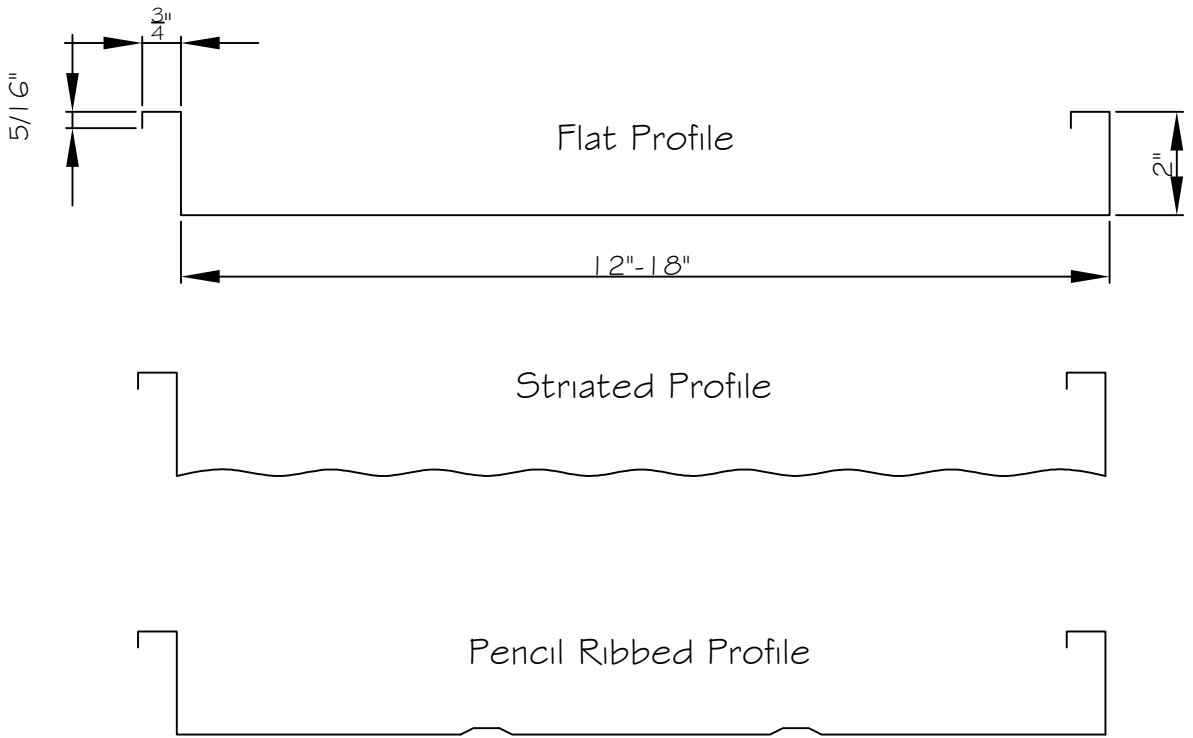
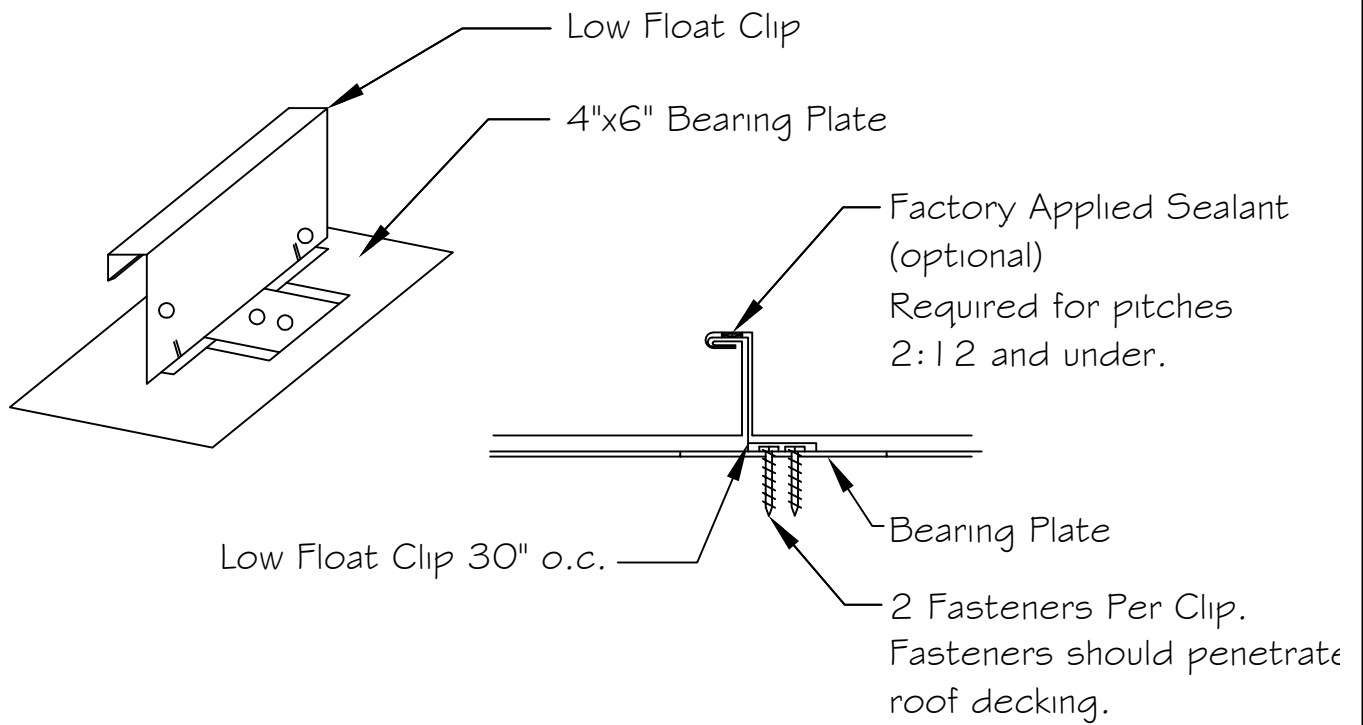
SYSTEM: CMP SERIES 2500
DATE:



CMP

SCALE:

DRAWING NO:



Note: Striated Profile is Standard

DETAIL: Panel & Clip Profile

SYSTEM: CMP SERIES 2500
DATE:

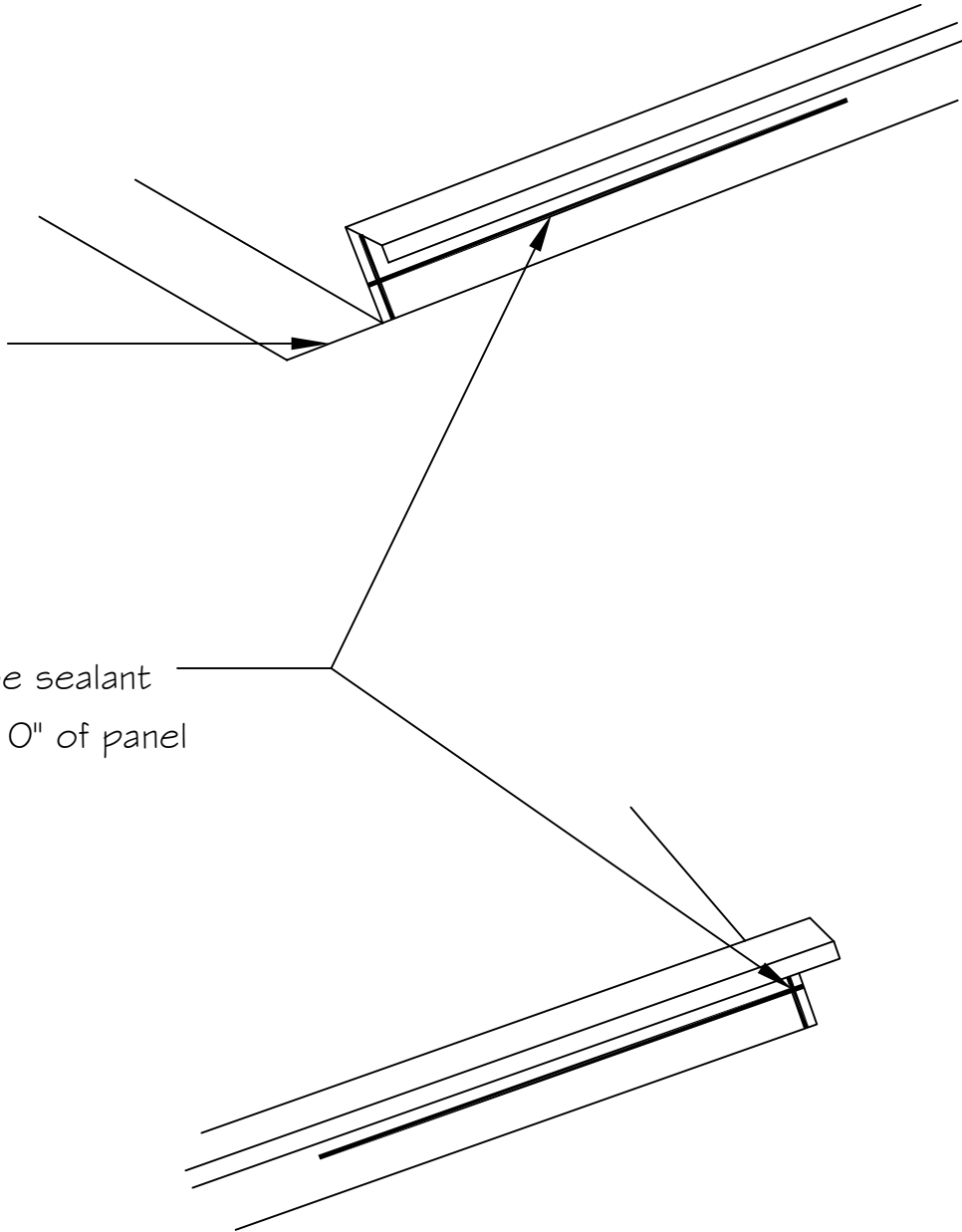
CMP

SCALE:

DRAWING NO: 1

Field notch & hem
under eave flashing.

Apply tube sealant
for first 10" of panel



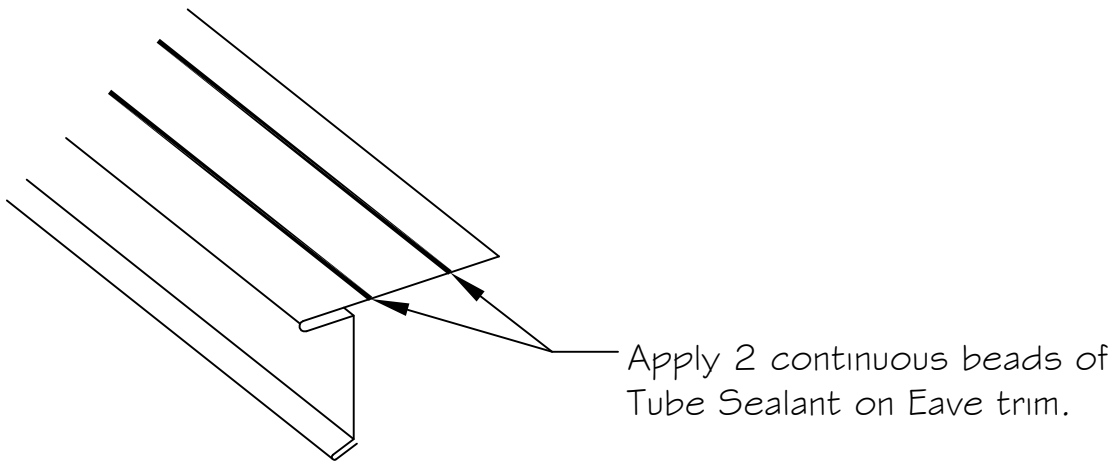
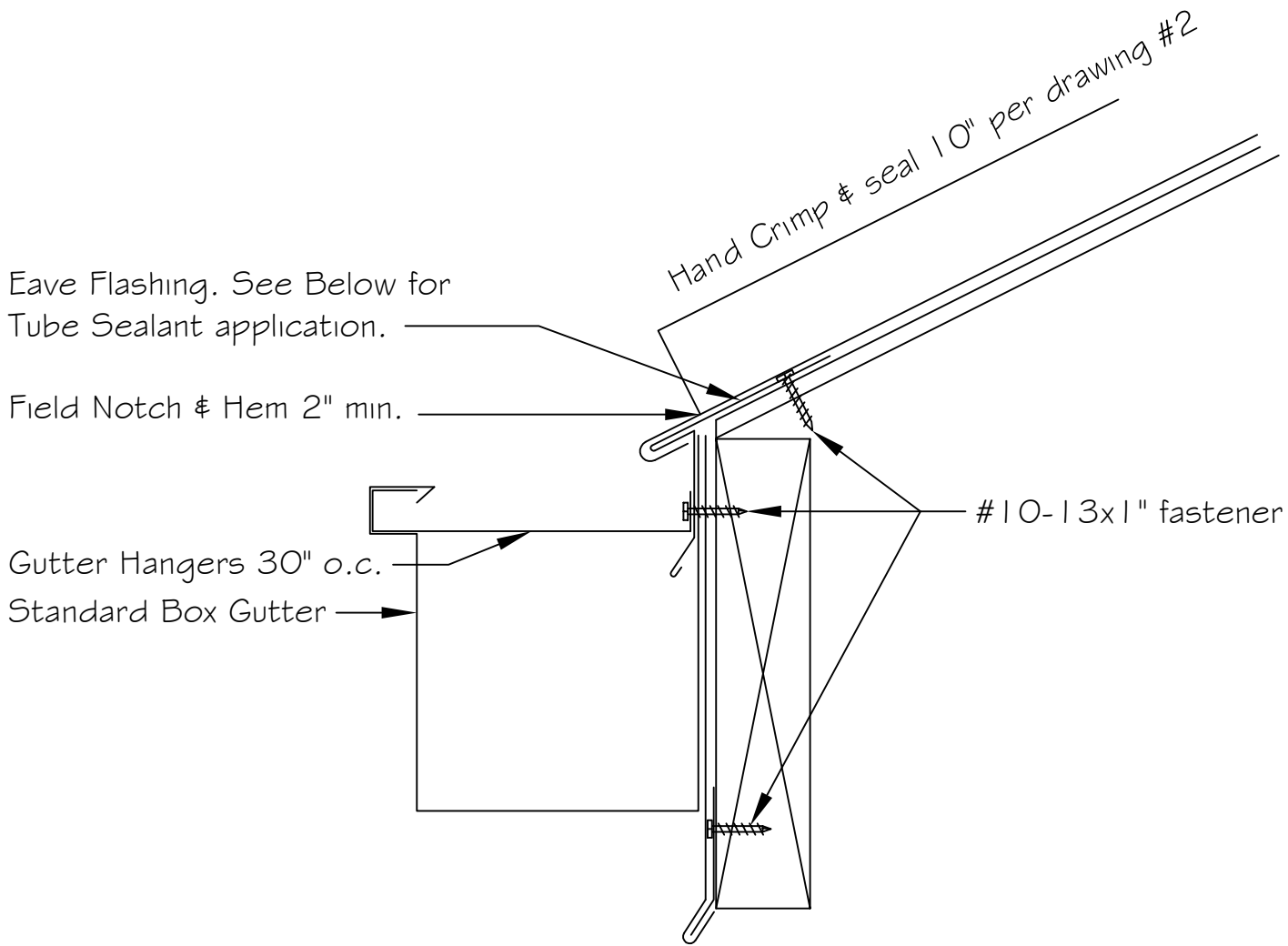
DETAIL: Panel Sealant

SYSTEM: CMP SERIES 2500
DATE:

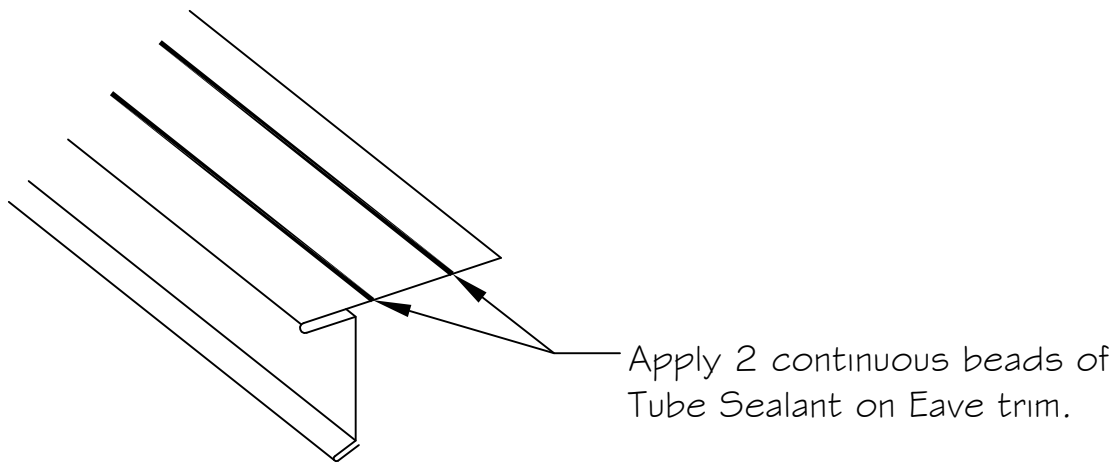
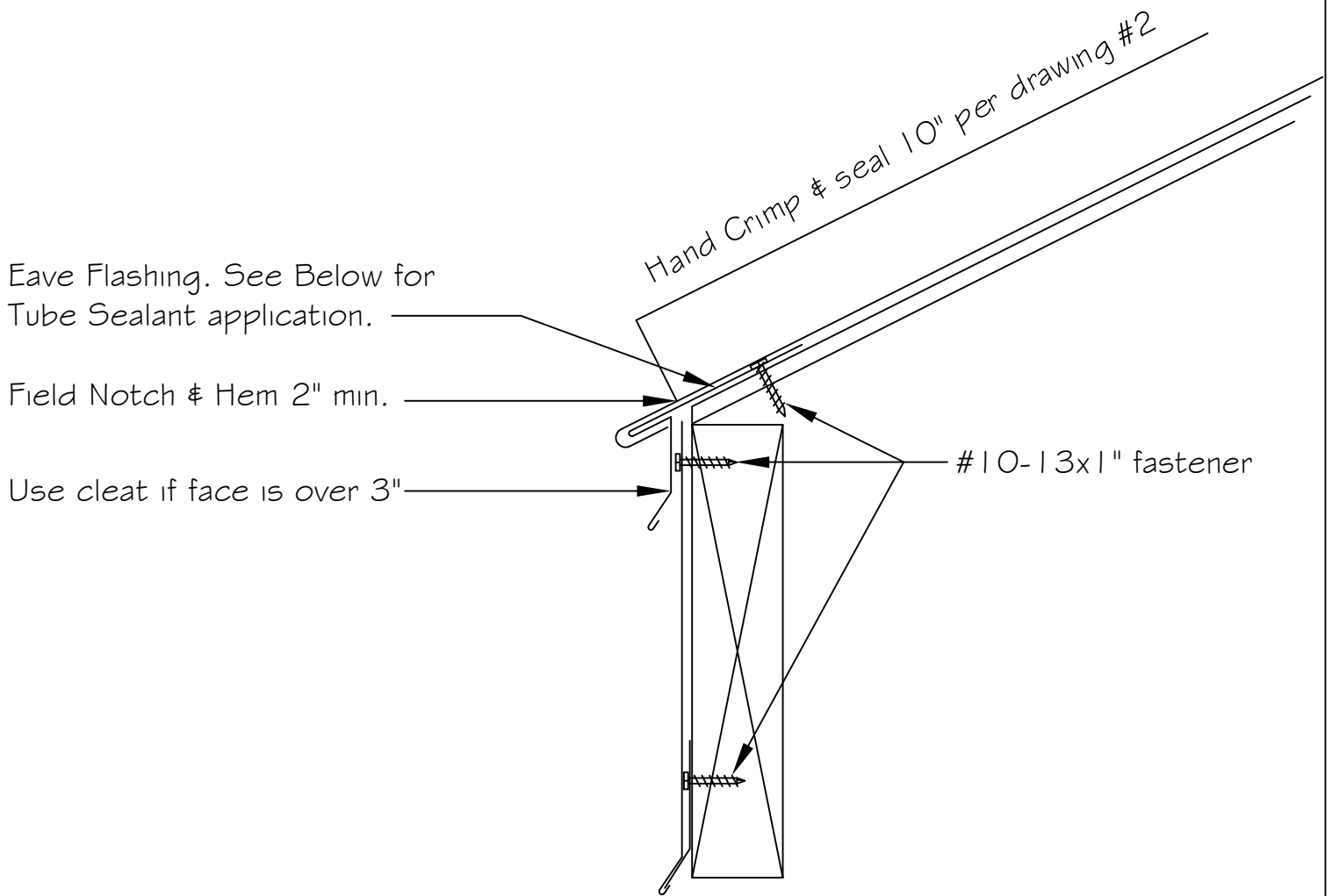
CMP

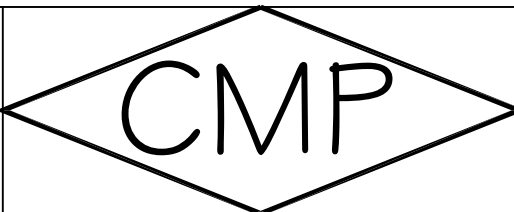
SCALE:

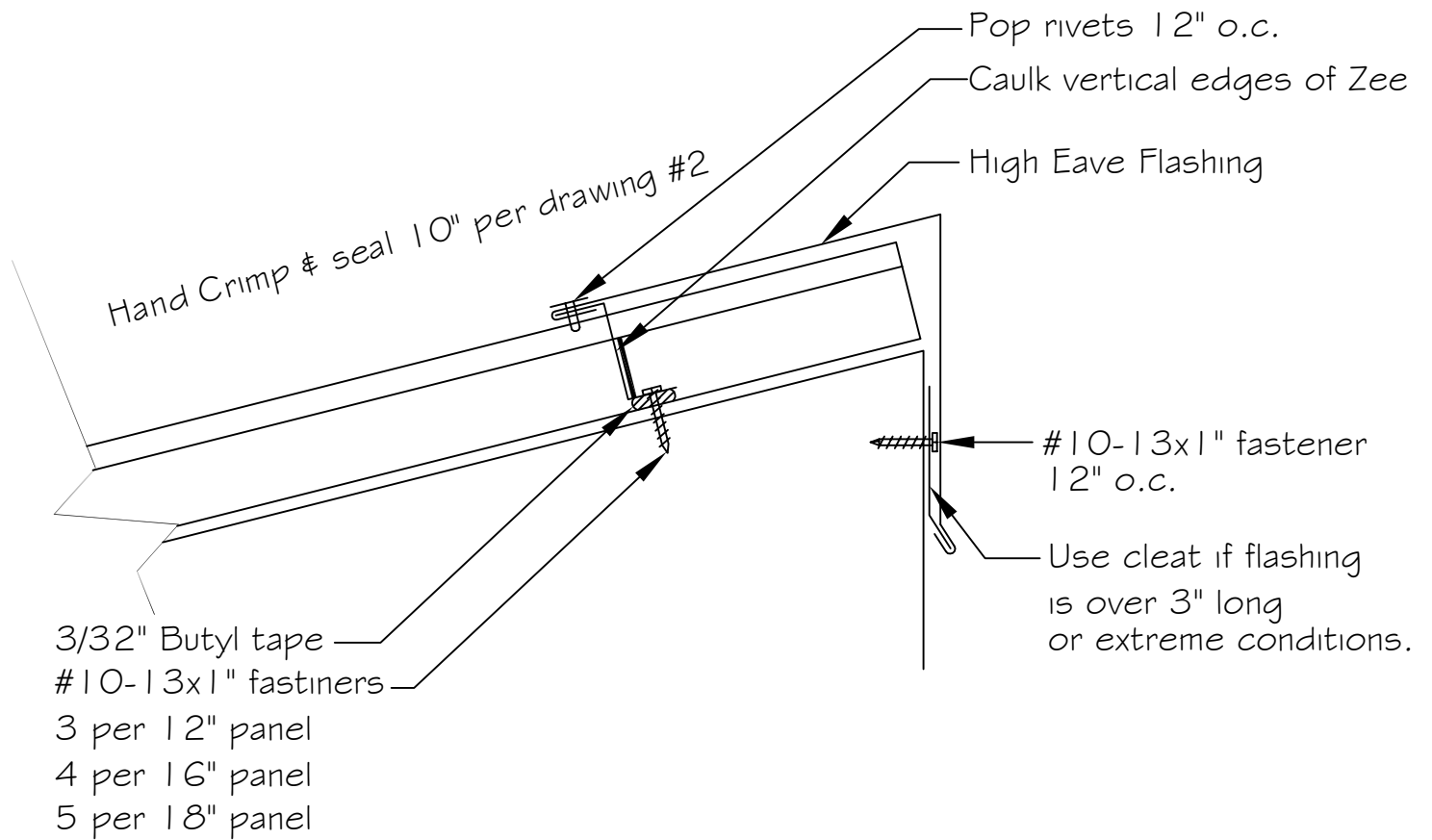
DRAWING NO: 2



DETAIL: Eave Flashing with Gutter		SCALE:
SYSTEM: CMP SERIES 2500 DATE:		DRAWING NO: 3



DETAIL: Locking Eave		SCALE:
SYSTEM: CMP SERIES 2500 DATE:		DRAWING NO: 4



DETAIL: High Eave Flashing

SYSTEM: CMP SERIES 2500
DATE:

CMP

SCALE:

DRAWING NO: 5

Field bend panel up 1 1/2" min.

pop rivet 18" o.c.

#10-13x1" 12" o.c.

3/32" x 1" Butyl tape

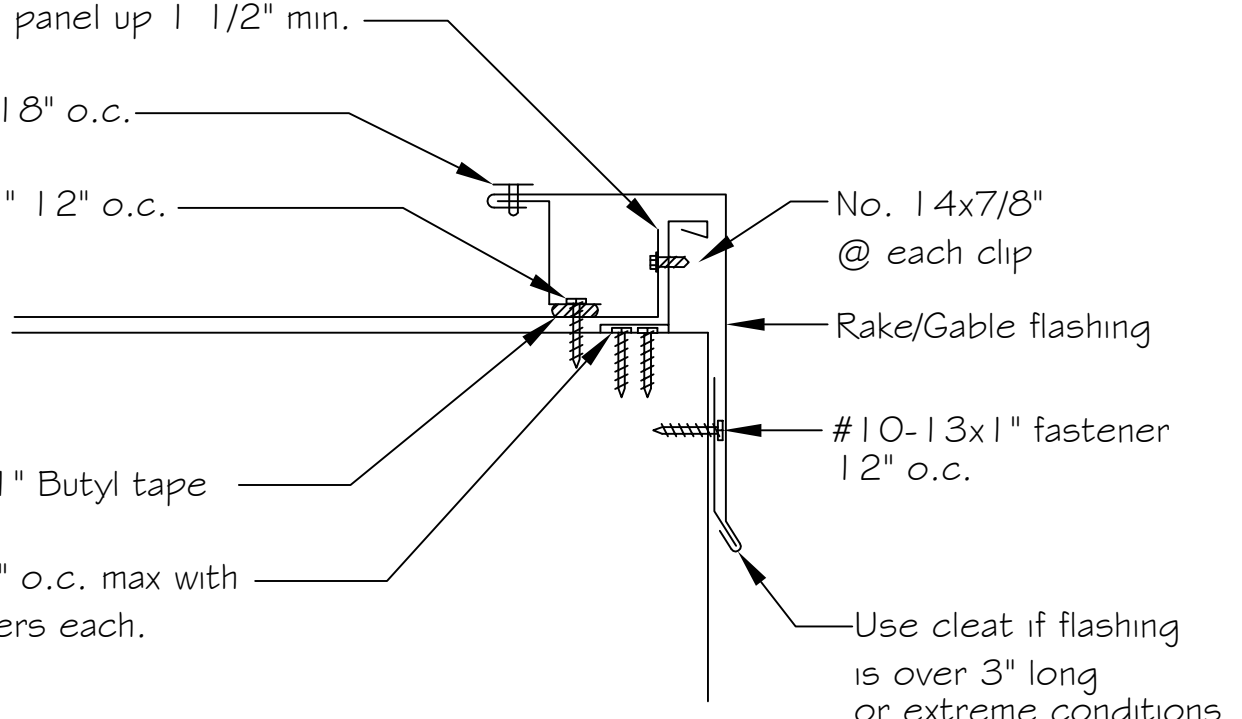
Clips 30" o.c. max with
2 fasteners each.

No. 14x7/8"
@ each clip

Rake/Gable flashing

#10-13x1" fastener
12" o.c.

Use cleat if flashing
is over 3" long
or extreme conditions.



DETAIL: Rake/Gable Flashing

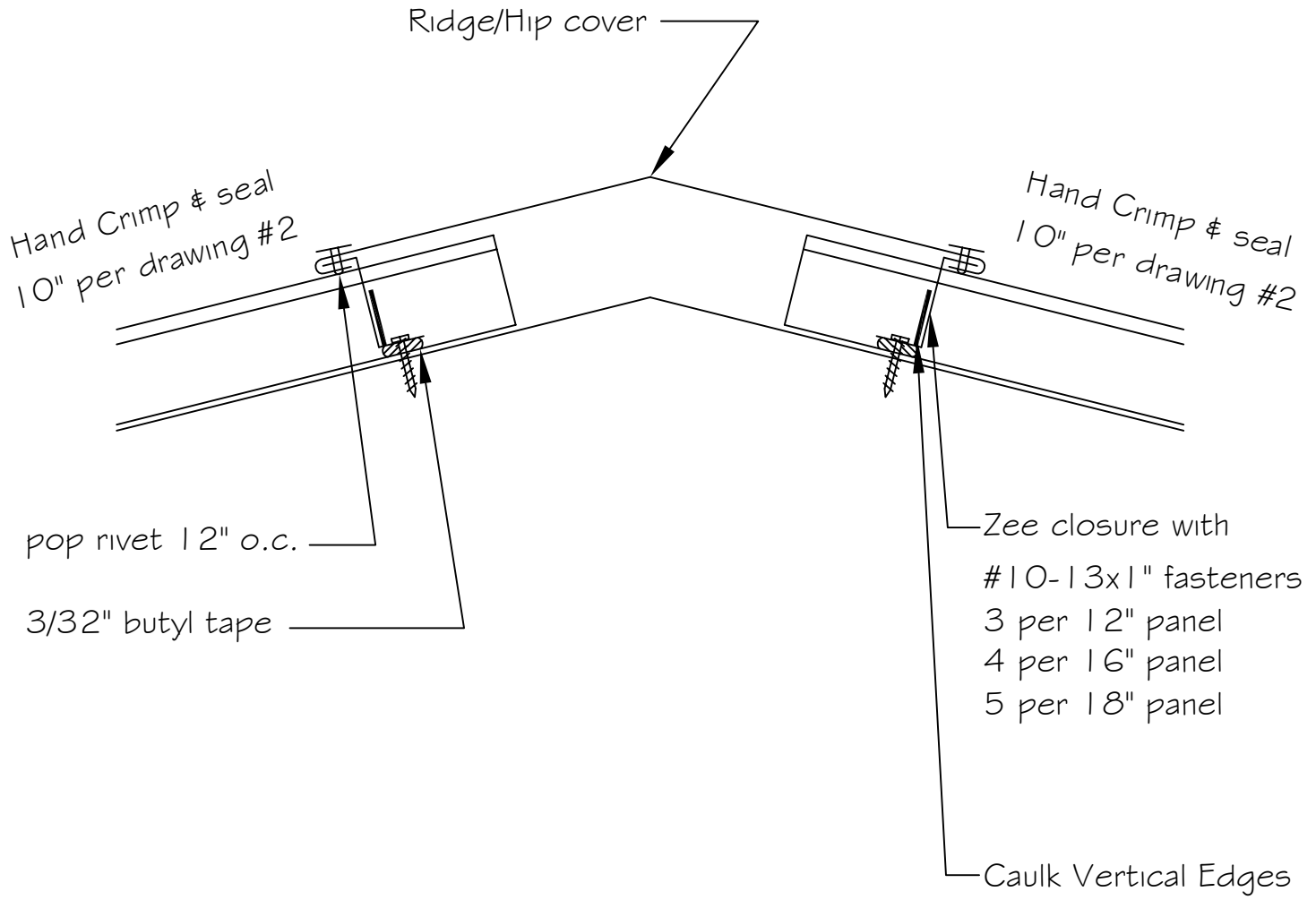
SYSTEM: CMP SERIES 2500
DATE:

CMP

SCALE:

DRAWING NO:

6



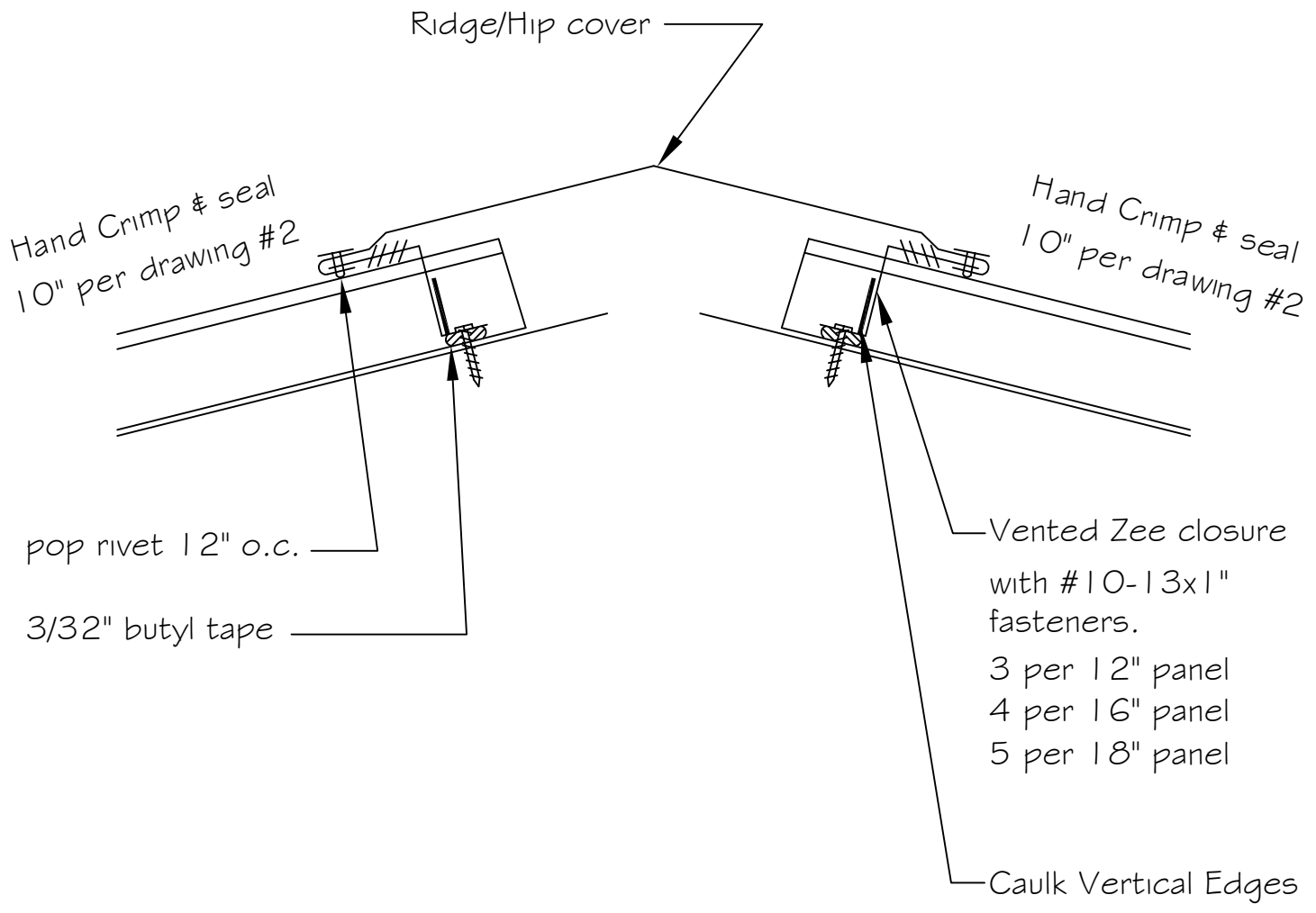
DETAIL: Ridge/Hip Cover

SYSTEM: CMP SERIES 2500
DATE:

CMP

SCALE:

DRAWING NO: 7



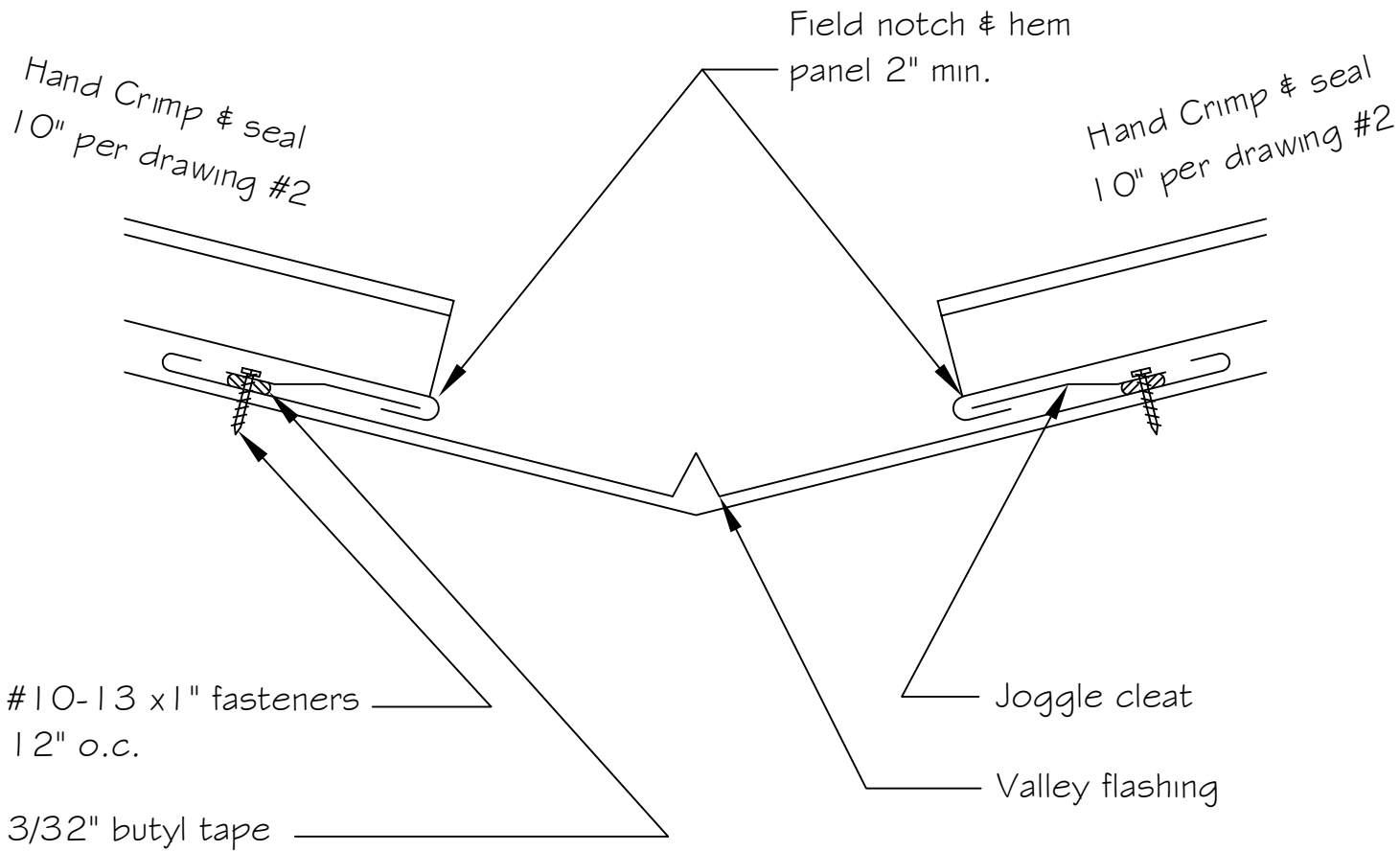
DETAIL: Vented Ridge

SYSTEM: CMP SERIES 2500
DATE:

CMP

SCALE:

DRAWING NO: 8



DETAIL: Valley Flashing

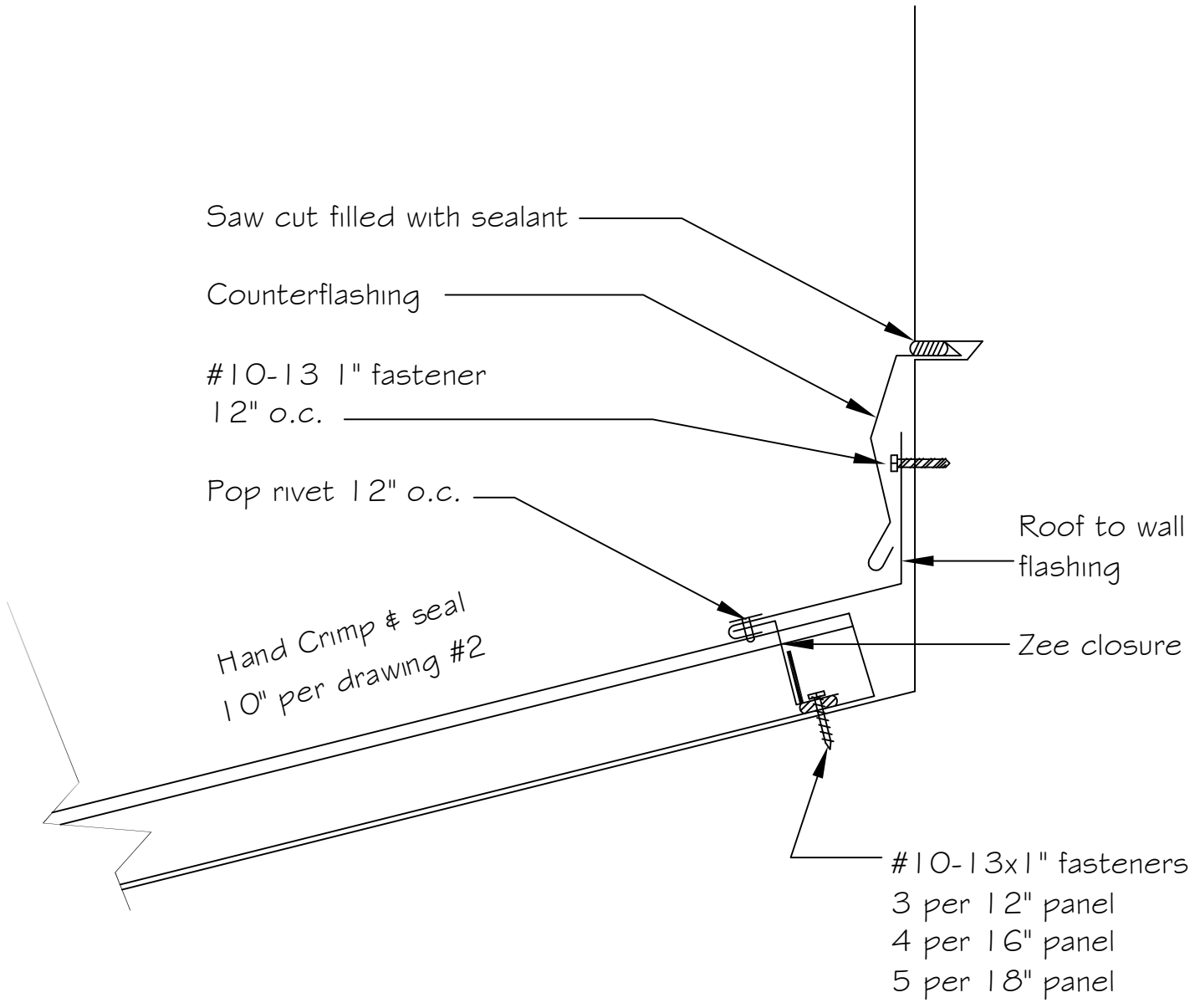
SYSTEM: CMP SERIES 2500

DATE:



SCALE:

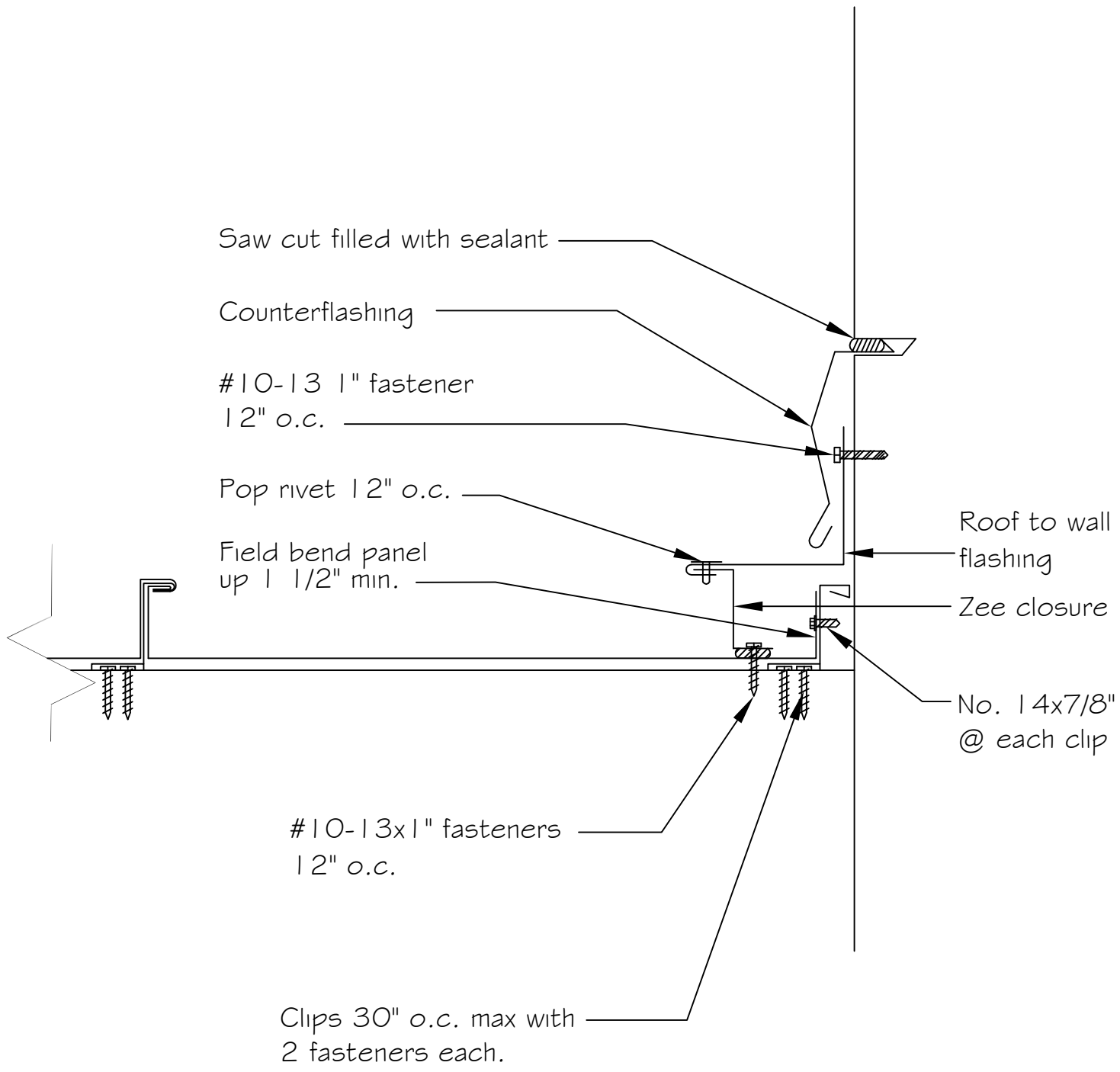
DRAWING NO: 9



DETAIL: Roof to Wall flashing
 SYSTEM: CMP SERIES 2500
 DATE:



SCALE:
 DRAWING NO: 10



DETAIL: Pitchbreak flashing		SCALE:
SYSTEM: CMP SERIES 2500 DATE:		DRAWING NO: 11