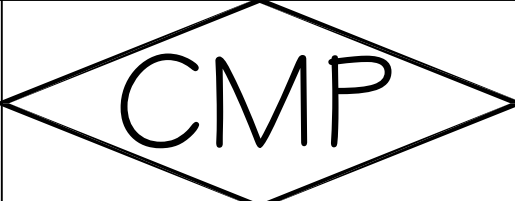


Construction Metal Products, Inc.

System: CMP Flush Panel

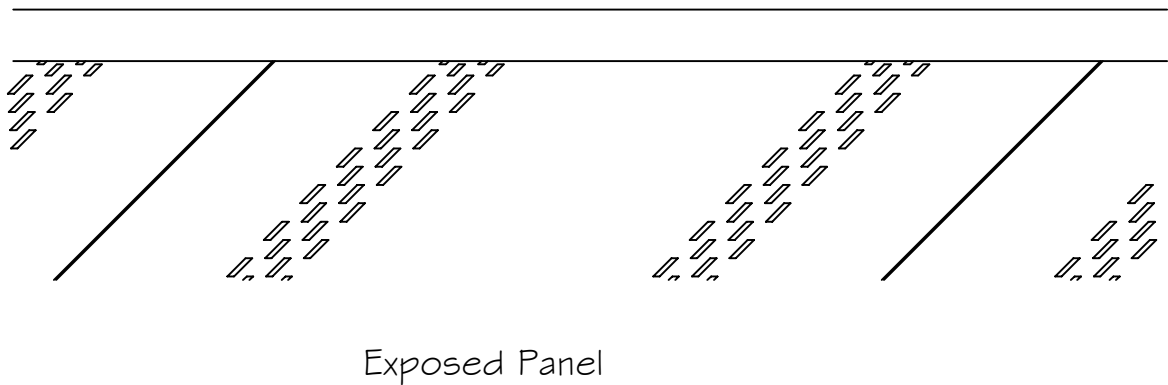
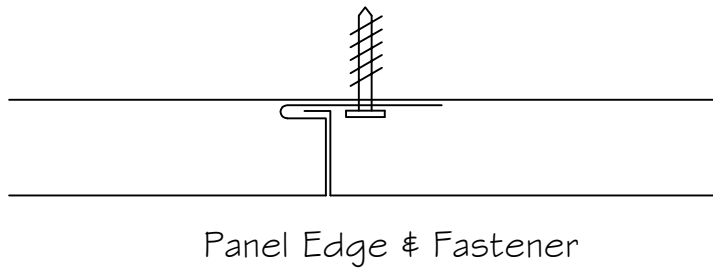
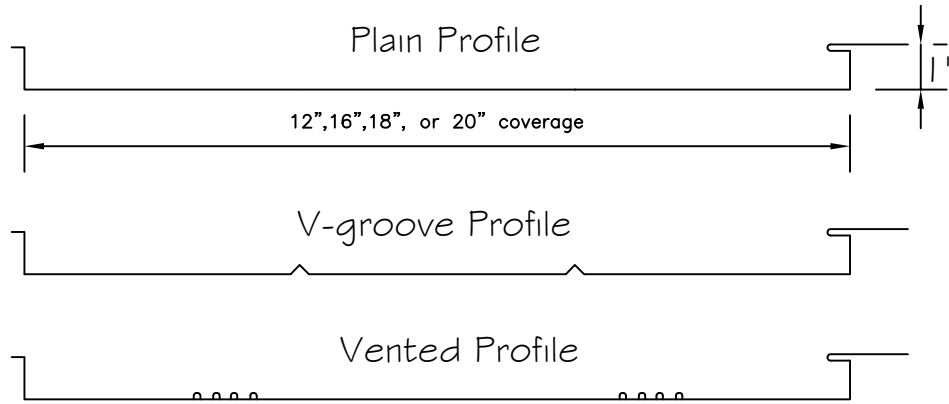
Drawings

- 1. Profile Sheet
- 2. Drip Edge
- 3. J Channel
- 4. Drip Edge @ Wall
- 5. Inside Corner
- 6. Outside Corner

DETAIL:		SCALE:
SYSTEM: CMP Flush Panel DATE:		DRAWING NO:

CMP Flush Panel

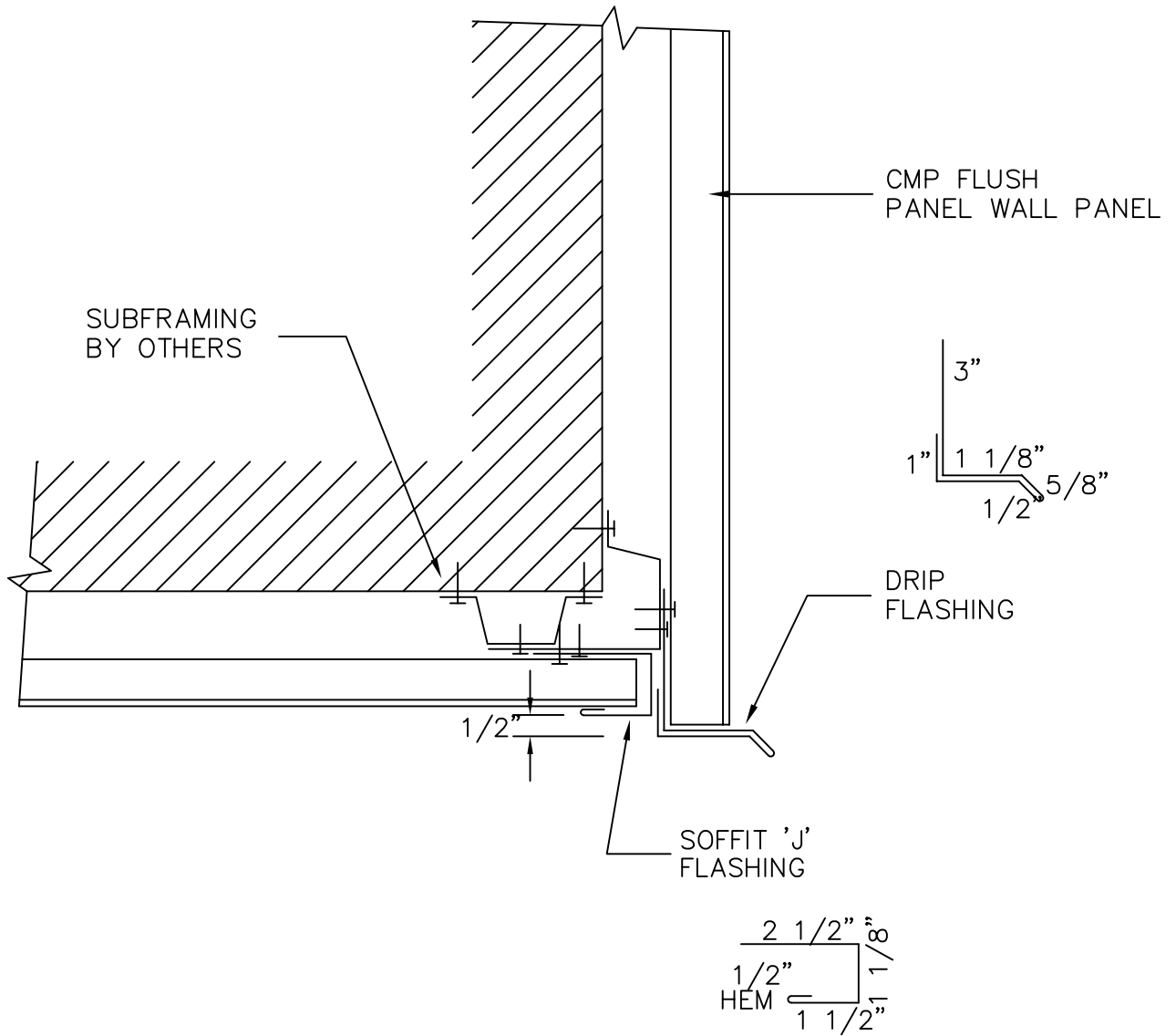
Ideal for Gamble walls and soffits. Profiles can be either Plain, V-groove, or Vented. Panels can be fabricated from either .032 or .040 aluminum or 24-22 gauge steel with Kynar finish or bare galvalume.



DETAIL: Panel Profile		SCALE:
SYSTEM: CMP Flush Panel DATE:		DRAWING NO: 1

CMP Flush Panel

Ideal for Gamble walls and soffits. Profiles can be either Plain, V-groove, or Vented. Panels can be fabricated from either .032 or .040 aluminum or 24-22 guage steel with Kynar finish or bare galvalume.



DETAIL: Drip Edge

SYSTEM: CMP Flush Panel
DATE:

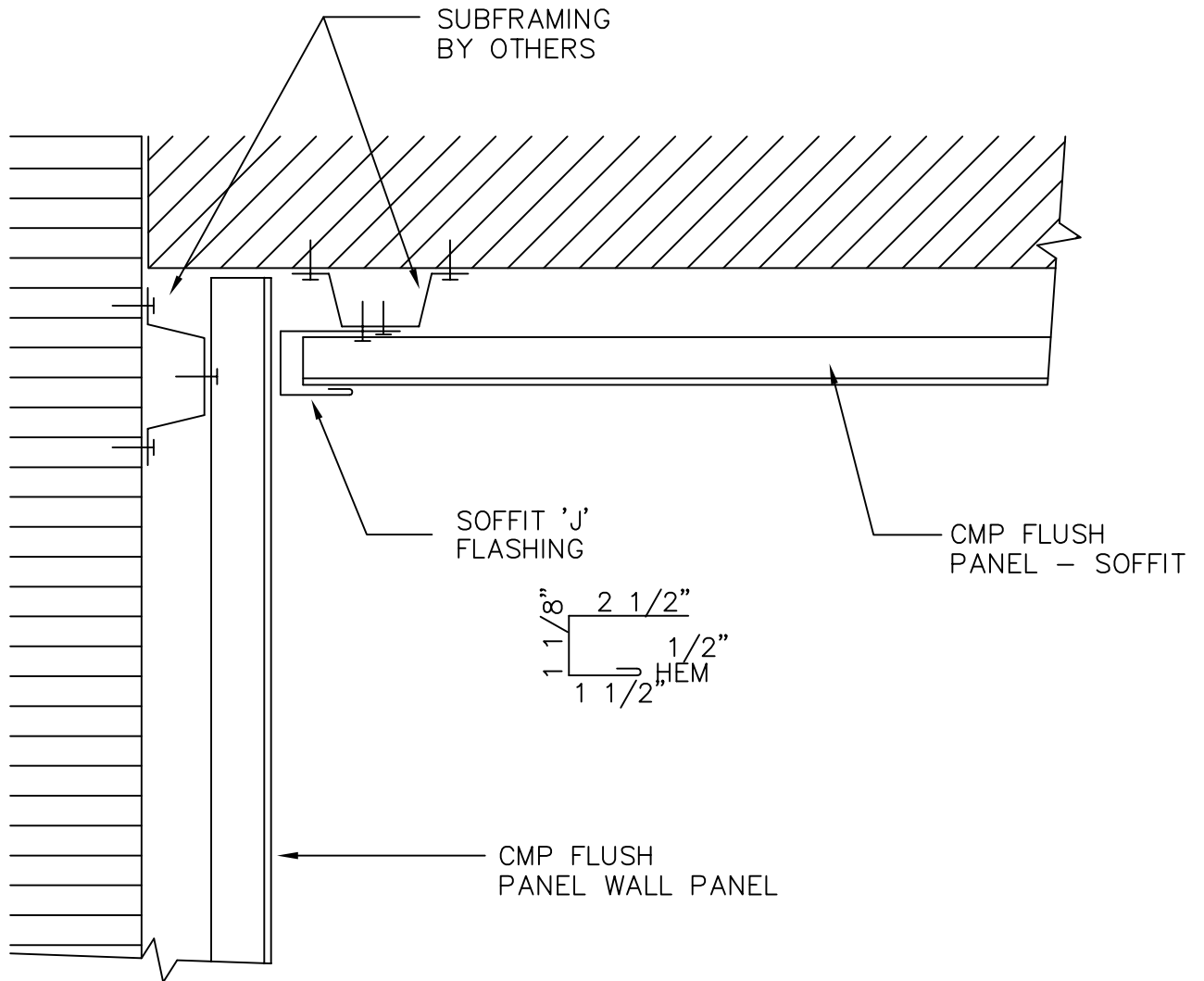
CMP

SCALE:

DRAWING NO: 2

CMP Flush Panel

Ideal for Gamble walls and soffits. Profiles can be either Plain, V-groove, or Vented. Panels can be fabricated from either .032 or .040 aluminum or 24-22 guage steel with Kynar finish or bare galvalume.



DETAIL: J Channel

SYSTEM: CMP Flush Panel
DATE:

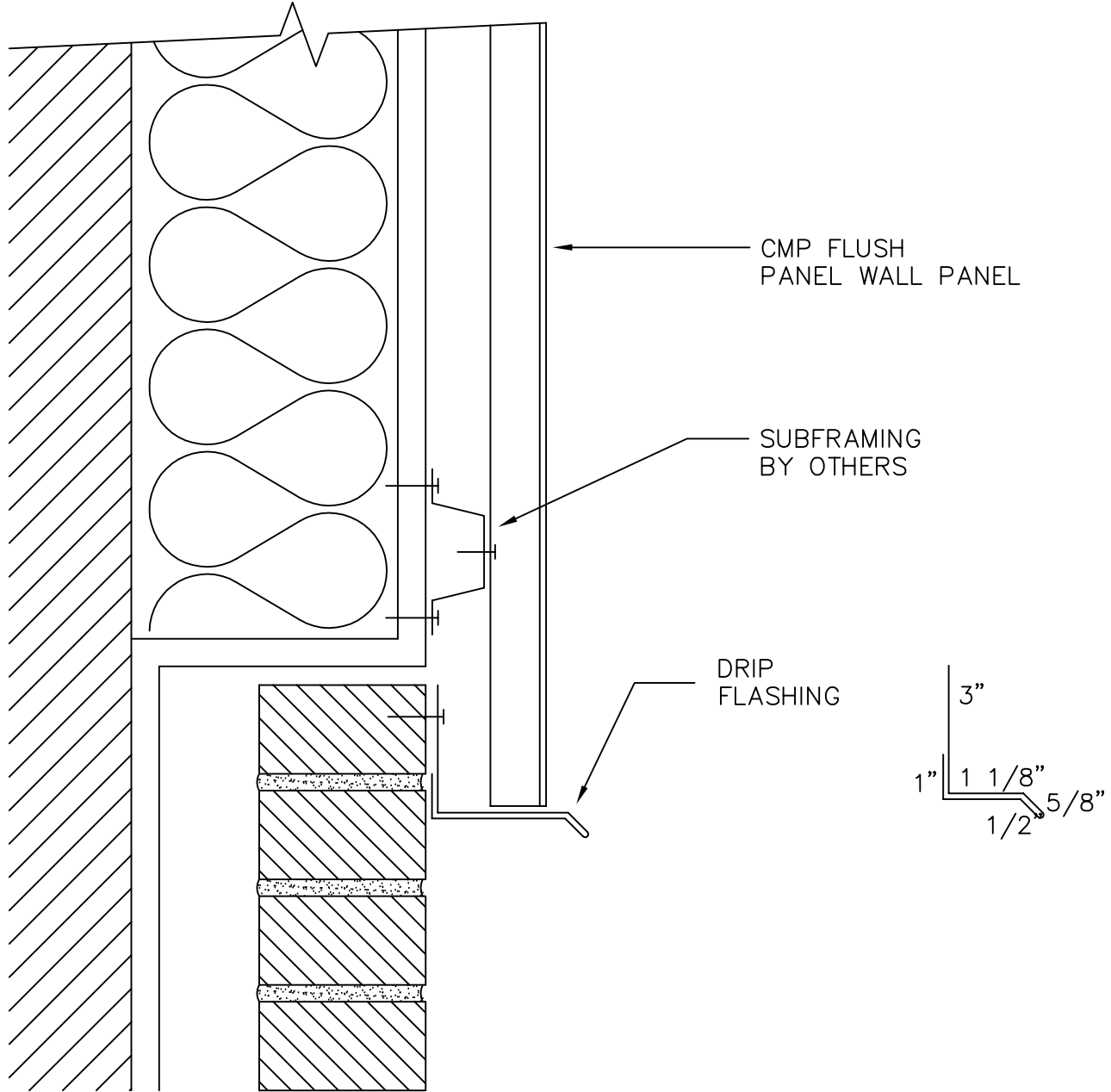
CMP

SCALE:

DRAWING NO: 3

CMP Flush Panel

Ideal for Gamble walls and soffits. Profiles can be either Plain, V-groove, or Vented. Panels can be fabricated from either .032 or .040 aluminum or 24-22 gauge steel with Kynar finish or bare galvalume.



DETAIL: Drip Edge @ Wall

SYSTEM: CMP Flush Panel
DATE:

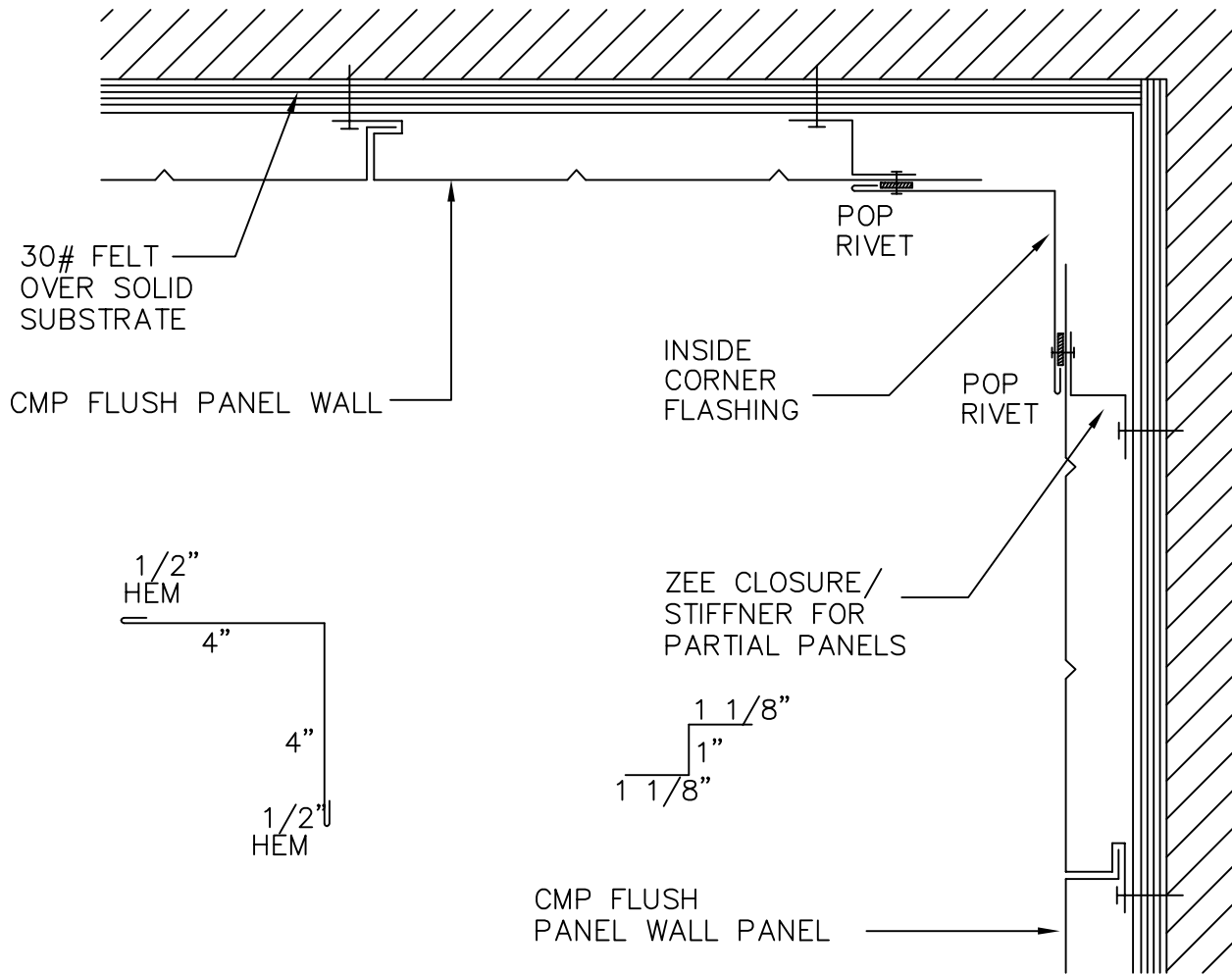


SCALE:

DRAWING NO: 4

CMP Flush Panel

Ideal for Gamble walls and soffits. Profiles can be either Plain, V-groove, or Vented. Panels can be fabricated from either .032 or .040 aluminum or 24-22 guage steel with Kynar finish or bare galvalume.



DETAIL: Inside Corner

SYSTEM: CMP Flush Panel
DATE:

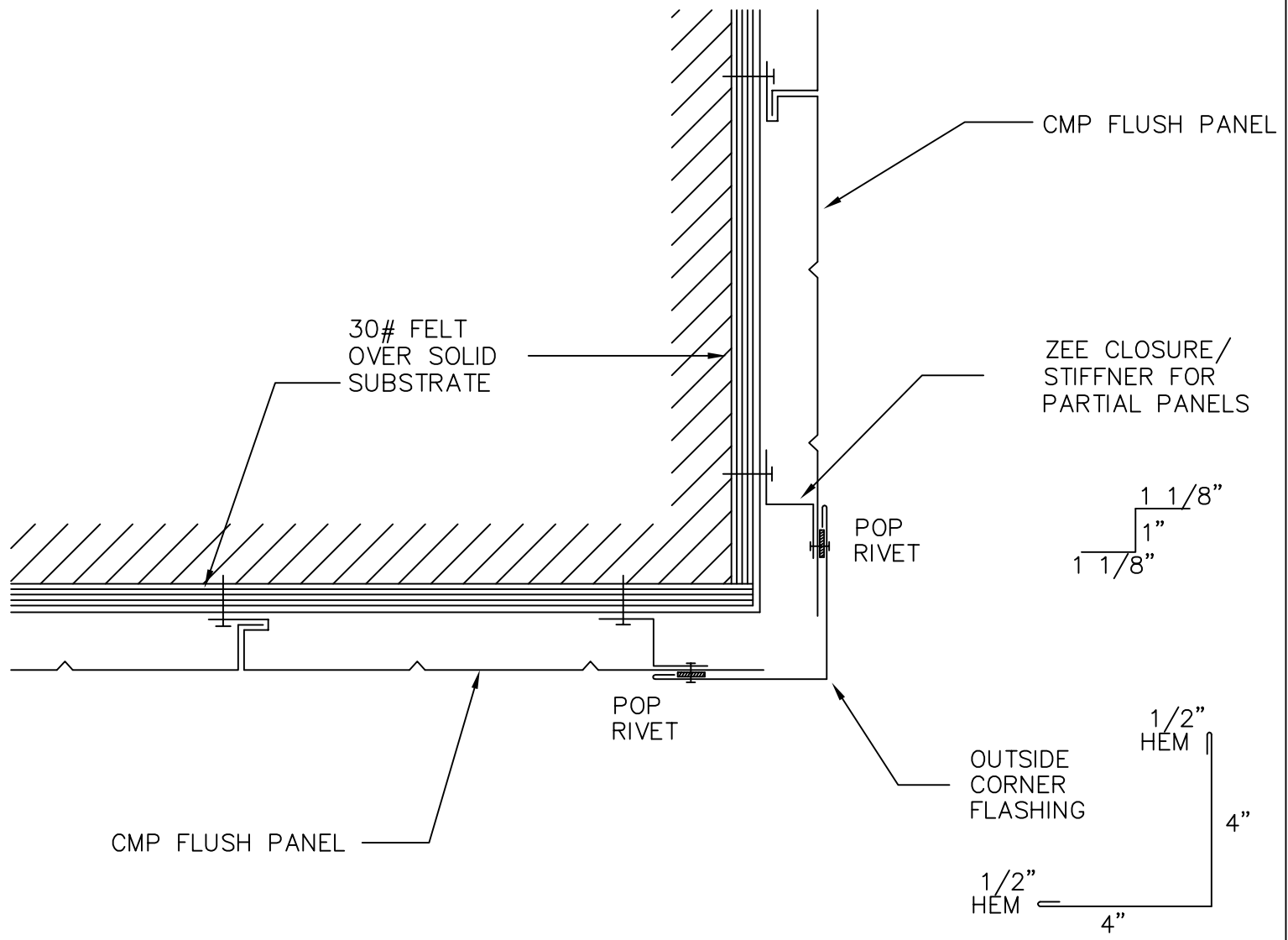
CMP

SCALE:

DRAWING NO: 5

CMP Flush Panel

Ideal for Gamble walls and soffits. Profiles can be either Plain, V-groove, or Vented. Panels can be fabricated from either .032 or .040 aluminum or 24-22 guage steel with Kynar finish or bare galvalume.



DETAIL: Outside Corner		SCALE:
SYSTEM: CMP Flush Panel DATE:		DRAWING NO: 6